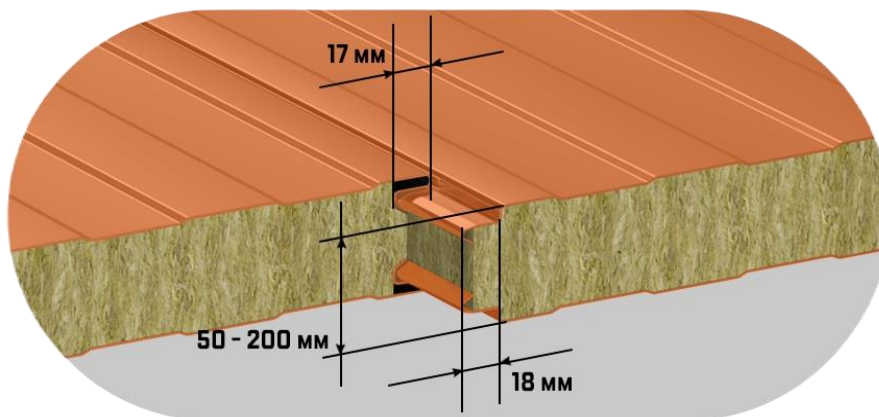


WALL AND ROOF MINERAL WOOL SANDWICH PANELS. CLASS 2
 WITH Z-LOCK AND SECRET FIX LOCK

ALL PRICES IN EURO, VAT NOT INCLUDED

14.12.2023

WALL PANELS



WITH Z-LOCK

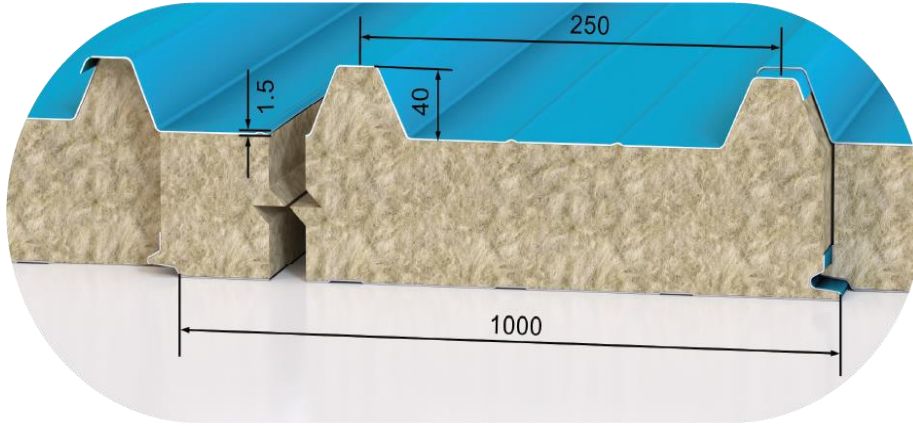
EXTERIOR COATING		PANELS' THICKNESS, MM							
SIDE A	SIDE B	50	60	80	100	120	150	170	200
FIRE RESISTANCE CLASS		EI 30	EI 60	EI 90	EI 150	EI 180			
RAL	RAL	25,20	26,89	30,33	33,56	36,87	41,92	45,13	50,33
	ZN	24,29	25,98	29,42	32,65	35,96	41,01	44,22	49,42
	AISI 304	39,23	40,92	44,37	47,60	50,90	55,95	59,17	64,37
	AISI 430	34,10	35,79	39,24	42,47	45,78	50,83	54,04	59,24
	PVDF	29,13	30,82	34,26	37,49	40,80	45,85	49,06	54,26
	PU	31,83	33,52	36,96	40,19	43,50	48,55	51,76	56,96
	FOOD SAFE	36,51	38,20	41,64	44,87	48,18	53,23	56,44	61,64
ZN	RAL	24,29	25,98	29,42	32,65	35,96	41,01	44,22	49,42
	ZN	23,37	25,06	28,51	31,74	35,05	40,10	43,31	48,51
	AISI 304	38,32	40,01	43,45	46,68	49,99	55,04	58,25	63,45
	AISI 430	33,19	34,88	38,33	41,56	44,87	49,91	53,13	58,33
	PVDF	28,21	29,90	33,35	36,58	39,89	44,94	48,15	53,35
	PU	30,91	32,60	36,05	39,28	42,59	47,63	50,85	56,05
	FOOD SAFE	35,60	37,29	40,73	43,96	47,27	52,32	55,53	60,73
AISI 304	RAL	39,23	40,92	44,37	47,60	50,90	55,95	59,17	64,37
	ZN	38,32	40,01	43,45	46,68	49,99	55,04	58,25	63,45
	AISI 304	53,26	54,95	58,40	61,63	64,94	69,98	73,20	78,40
	AISI 430	48,13	49,83	53,27	56,50	59,81	64,86	68,07	73,27
	PVDF	43,16	44,85	48,29	51,52	54,83	59,88	63,10	68,29
	PU	45,86	47,55	50,99	54,22	57,53	62,58	65,79	70,99
	FOOD SAFE	50,54	52,23	55,67	58,90	62,21	67,26	70,48	75,67
AISI 430	RAL	34,10	35,79	39,24	42,47	45,78	50,83	54,04	59,24
	ZN	33,19	34,88	38,33	41,56	44,87	49,91	53,13	58,33
	AISI 304	48,13	49,83	53,27	56,50	59,81	64,86	68,07	73,27
	AISI 430	43,01	44,70	48,14	51,37	54,68	59,73	62,94	68,14
	PVDF	38,03	39,72	43,17	46,40	49,71	54,75	57,97	63,17
	PU	40,73	42,42	45,87	49,10	52,40	57,45	60,67	65,87
	FOOD SAFE	45,41	47,10	50,55	53,78	57,09	62,13	65,35	70,55

	RAL	29,13	30,82	34,26	37,49	40,80	45,85	49,06	54,26
	ZN	28,21	29,90	33,35	36,58	39,89	44,94	48,15	53,35
	AISI 304	43,16	44,85	48,29	51,52	54,83	59,88	63,10	68,29
PVDF	AISI 430	38,03	39,72	43,17	46,40	49,71	54,75	57,97	63,17
	PVDF	33,06	34,75	38,19	41,42	44,73	49,78	52,99	58,19
	PU	35,75	37,44	40,89	44,12	47,43	52,48	55,69	60,89
	FOOD SAFE	40,44	42,13	45,57	48,80	52,11	57,16	60,37	65,57
<hr/>									
	RAL	31,83	33,52	36,96	40,19	43,50	48,55	51,76	56,96
	ZN	30,91	32,60	36,05	39,28	42,59	47,63	50,85	56,05
	AISI 304	45,86	47,55	50,99	54,22	57,53	62,58	65,79	70,99
PU (POLYURETHANE)	AISI 430	40,73	42,42	45,87	49,10	52,40	57,45	60,67	65,87
	PVDF	35,75	37,44	40,89	44,12	47,43	52,48	55,69	60,89
	PU	38,45	40,14	43,59	46,82	50,13	55,17	58,39	63,59
	FOOD SAFE	43,13	44,83	48,27	51,50	54,81	59,86	63,07	68,27
FOOD SAFE	FOOD SAFE	47,82	49,51	52,95	56,18	59,49	64,54	67,75	72,95

WITH SECRET FIX LOCK

EXTERIOR COATING		PANEL'S THICKNESS, MM / SECRET FIX				
SIDE A	SIDE B	60	80	100	120	150
FIRE RESISTANCE CLASS		EI 30	EI 60	EI 90	EI 150	EI 180
	RAL	29,21	32,92	36,20	39,57	44,75
	ZN	27,90	31,62	34,90	38,27	43,45
	AISI 304	49,25	52,97	56,25	59,62	64,80
RAL	AISI 430	41,93	45,64	48,92	52,29	57,48
	PVDF	34,82	38,53	41,81	45,18	50,37
	PU	38,67	42,39	45,67	49,04	54,22
	FOOD SAFE	45,37	49,08	52,36	55,73	60,91
<hr/>						
	RAL	27,90	31,62	34,90	38,27	43,45
	ZN	26,60	30,32	33,60	36,97	42,15
	AISI 304	47,95	51,67	54,94	58,32	63,50
ZN	AISI 430	40,63	44,34	47,62	50,99	56,17
	PVDF	33,52	37,23	40,51	43,88	49,06
	PU	37,37	41,09	44,37	47,74	52,92
	FOOD SAFE	44,06	47,78	51,06	54,43	59,61
<hr/>						
	RAL	49,25	52,97	56,25	59,62	64,80
	ZN	47,95	51,67	54,94	58,32	63,50
	AISI 304	69,30	73,02	76,29	79,67	84,85
AISI 304	AISI 430	61,98	65,69	68,97	72,34	77,52
	PVDF	54,87	58,58	61,86	65,23	70,41
	PU	58,72	62,44	65,71	69,09	74,27
	FOOD SAFE	65,41	69,13	72,40	75,78	80,96
<hr/>						
	RAL	41,93	45,64	48,92	52,29	57,48
	ZN	40,63	44,34	47,62	50,99	56,17
	AISI 304	61,98	65,69	68,97	72,34	77,52
AISI 430	AISI 430	54,65	58,37	61,64	65,02	70,20
	PVDF	47,54	51,25	54,53	57,90	63,09
	PU	51,40	55,11	58,39	61,76	66,94
	FOOD SAFE	58,09	61,80	65,08	68,45	73,63
<hr/>						
	RAL	34,82	38,53	41,81	45,18	50,37
	ZN	33,52	37,23	40,51	43,88	49,06
	AISI 304	54,87	58,58	61,86	65,23	70,41
PVDF	AISI 430	47,54	51,25	54,53	57,90	63,09
	PVDF	40,43	44,14	47,42	50,79	55,98
	PU	44,29	48,00	51,28	54,65	59,83
	FOOD SAFE	50,98	54,69	57,97	61,34	66,52
<hr/>						
	RAL	38,67	42,39	45,67	49,04	54,22
	ZN	37,37	41,09	44,37	47,74	52,92
	AISI 304	58,72	62,44	65,71	69,09	74,27
PU (POLYURETHANE)	AISI 430	51,40	55,11	58,39	61,76	66,94
	PVDF	44,29	48,00	51,28	54,65	59,83
	PU	48,14	51,86	55,13	58,51	63,69
	FOOD SAFE	54,83	58,55	61,83	65,20	70,38
FOOD SAFE	FOOD SAFE	61,52	65,24	68,52	71,89	77,07

ROOF PANELS



EXTERIOR COATING		PANELS' THICKNESS, MM							
SIDE A	SIDE B	50	60	80	100	120	150	170	200
FIRE RESISTANCE CLASS		RE 15		RE 30	REI 45		REI 60		
RAL	RAL	29,47	31,08	34,54	37,75	40,97	45,79	49,25	54,07
	ZN	28,40	30,02	33,48	36,68	39,90	44,73	48,18	53,01
	AISI 304	45,86	47,47	50,93	54,13	57,36	62,18	65,63	70,46
	AISI 430	39,87	41,48	44,94	48,15	51,37	56,20	59,65	64,48
	PVDF	34,06	35,67	39,13	42,33	45,56	50,38	53,83	58,66
	PU	37,21	38,82	42,28	45,48	48,71	53,53	56,98	61,81
	FOOD SAFE	42,68	44,29	47,75	50,96	54,18	59,01	62,46	67,29
ZN	RAL	28,40	30,02	33,48	36,68	39,90	44,73	48,18	53,01
	ZN	27,34	28,95	32,41	35,62	38,84	43,67	47,12	51,94
	AISI 304	44,79	46,40	49,87	53,07	56,29	61,12	64,57	69,40
	AISI 430	38,81	40,42	43,88	47,09	50,31	55,13	58,59	63,41
	PVDF	32,99	34,60	38,06	41,27	44,49	49,32	52,77	57,60
	PU	36,14	37,75	41,21	44,42	47,64	52,47	55,92	60,75
	FOOD SAFE	41,62	43,23	46,69	49,90	53,12	57,94	61,40	66,22
AISI 304	RAL	45,86	47,47	50,93	54,13	57,36	62,18	65,63	70,46
	ZN	44,79	46,40	49,87	53,07	56,29	61,12	64,57	69,40
	AISI 304	62,25	63,86	67,32	70,52	73,75	78,57	82,02	86,85
	AISI 430	56,26	57,87	61,33	64,54	67,76	72,59	76,04	80,87
	PVDF	50,44	52,06	55,52	58,72	61,94	66,77	70,22	75,05
	PU	53,60	55,21	58,67	61,87	65,10	69,92	73,37	78,20
	FOOD SAFE	59,07	60,68	64,14	67,35	70,57	75,40	78,85	83,67
AISI 430	RAL	39,87	41,48	44,94	48,15	51,37	56,20	59,65	64,48
	ZN	38,81	40,42	43,88	47,09	50,31	55,13	58,59	63,41
	AISI 304	56,26	57,87	61,33	64,54	67,76	72,59	76,04	80,87
	AISI 430	50,28	51,89	55,35	58,56	61,78	66,60	70,06	74,88
	PVDF	44,46	46,07	49,53	52,74	55,96	60,79	64,24	69,06
	PU	47,61	49,22	52,68	55,89	59,11	63,94	67,39	72,21
	FOOD SAFE	53,09	54,70	58,16	61,37	64,59	69,41	72,87	77,69
PVDF	RAL	34,06	35,67	39,13	42,33	45,56	50,38	53,83	58,66
	ZN	32,99	34,60	38,06	41,27	44,49	49,32	52,77	57,60
	AISI 304	50,44	52,06	55,52	58,72	61,94	66,77	70,22	75,05
	AISI 430	44,46	46,07	49,53	52,74	55,96	60,79	64,24	69,06
	PVDF	38,64	40,25	43,71	46,92	50,14	54,97	58,42	63,25
	PU	41,79	43,40	46,87	50,07	53,29	58,12	61,57	66,40
	FOOD SAFE	47,27	48,88	52,34	55,55	58,77	63,60	67,05	71,87
PU (POLYURETHANE)	RAL	37,21	38,82	42,28	45,48	48,71	53,53	56,98	61,81
	ZN	36,14	37,75	41,21	44,42	47,64	52,47	55,92	60,75
	AISI 304	53,60	55,21	58,67	61,87	65,10	69,92	73,37	78,20
	AISI 430	47,61	49,22	52,68	55,89	59,11	63,94	67,39	72,21
	PVDF	41,79	43,40	46,87	50,07	53,29	58,12	61,57	66,40
	PU	44,94	46,56	50,02	53,22	56,44	61,27	64,72	69,55
	FOOD SAFE	50,42	52,03	55,49	58,70	61,92	66,75	70,20	75,02
FOOD SAFE	FOOD SAFE	55,90	57,51	60,97	64,17	67,40	72,22	75,67	80,50

PH INSULATION MANUFACTURES CLASS 2 SANDWICH PANELS WITH MINERAL WOOL
ON PU.MA CONTINUOUS ITALIAN LINE

- Mineral Wool Density - 95 kg/m³
- You can request sandwich panels with high-quality standard metal of leading Russian and world suppliers Severstal, NLMK, MMK, Arcelor, SSAB, Lampre, etc. with polymer coating.
- Or you can request the special metal according to your requirements:
 - wide range of colors according to RAL chart for polymer coating,
 - various coatings: Polyester, Pural, PVDF, or Food Safe Laminate (a special 110 µm thick coating for food products storage and processing facilities: meat and fish processing plants, dairy farming, etc).
- You can also choose the panels with flat surface or with ribs for elevated sturdiness.
- All PH Insulation panels are delivered wrapped in a surface-protection plastic film for transportation.

